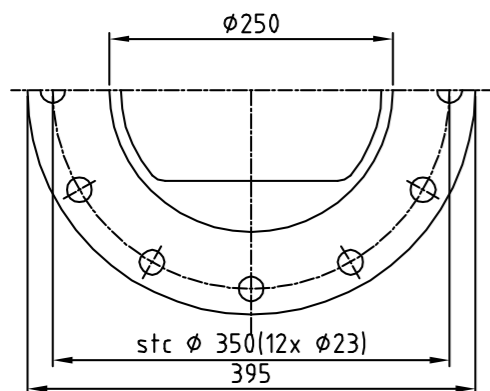
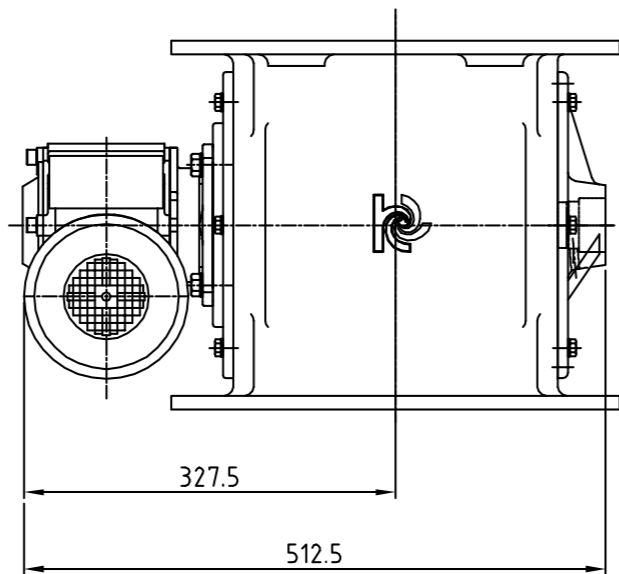
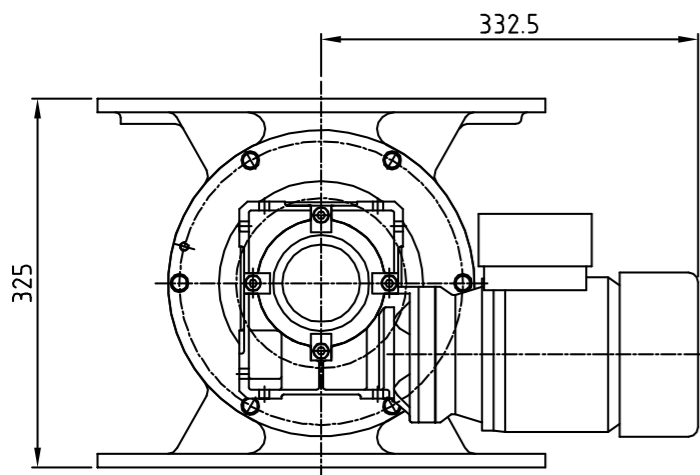
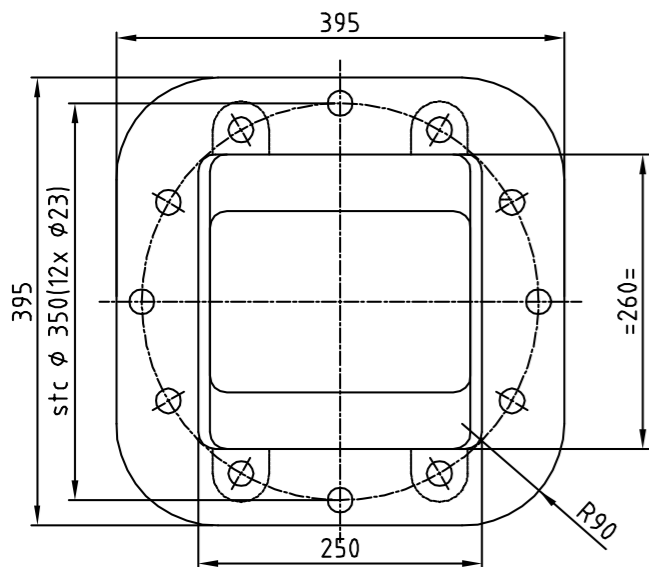


Technical drawings



No rights can be derived from this publication. Specifications can be altered without giving prior notification.

# Kiekens SAX250 Rotary valve



**Kiekens Products**

Van der Hoopweg 19  
7602 PJ Almelo  
The Netherlands  
T: +31.0.546-871555  
F: +31.0.546-871985  
info@kiekens.com

[www.kiekens.com](http://www.kiekens.com)



Kiekens is an international company specialising in the design, supply, installation and maintenance of dust extraction systems, industrial vacuum cleaners and fans. We offer both series produced, as well as customer-specific systems suitable for a wide range of applications.

### Rotary valve for industrial use under dust filters and cyclones

The rotary valve has been built from special "Smart Lite" cast iron. This cast iron variant has as special properties that it has a greater strength and a lower sensitivity to metal fatigue despite a lower weight.

A maximum flexibility of the inlet is possible because you can choose for either the round or the square flange on the inlet side.

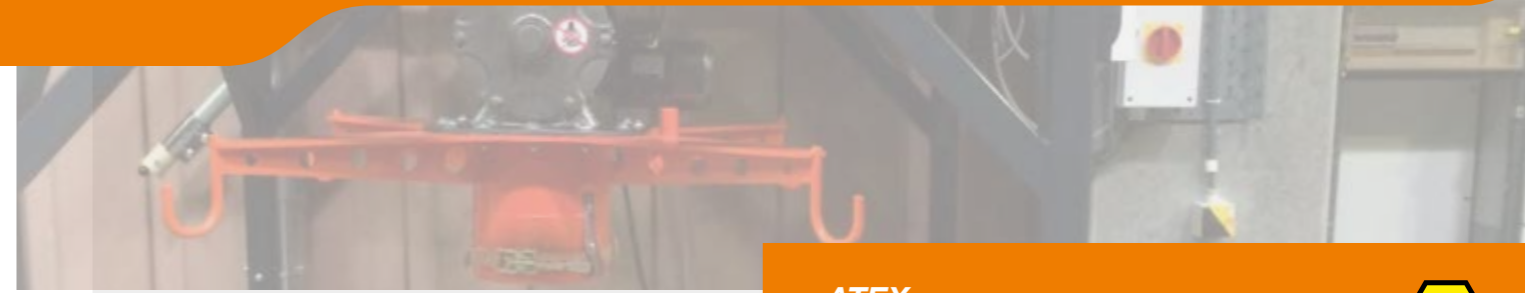
By using a combination of square and round flanges, the valve immediately becomes a transition piece and, therefore, a separate transition piece is not required and the overall integration height continues to be limited.

The fully welded rotor has polyurethane tips. This not only guarantees a long service life but also reliable sealing for a long period of time. The SAX250 rotary valve is driven by a worm gear speed reducer that is installed directly on to the rotor shaft.

You can remove the side shield on the drive side together with the drive and rotor for easy maintenance and inspection. After installation, there is no time consuming calibration activities to be performed for adjusting the radial or axial clearance.

#### Technical data

|                            |   |
|----------------------------|---|
| <b>Inlet/outlet</b>        | 250 x 250 mm<br>Ø 250 mm                        |
| <b>Flanges</b>             | DN250<br>(in accordance with<br>DIN2576 - PN10) |
| <b>Rotor content</b>       | 9,5 L   |
| <b>Pressure difference</b> | Max. of 0.5 bar                                 |
| <b>Product temperature</b> | 110°C at most                                   |
| <b>Material</b>            | "Smart Lite" cast iron<br>(housing and cover)   |
| <b>Rotor blades</b>        | Polyurethane, adjustable                        |
| <b>Shaft seal</b>          | Felt and shaft seals                            |
| <b>NDZ shaft bearing</b>   | Dustproof ball bearing<br>"sealed for life"     |
| <b>ADZ shaft bearing</b>   | By drive bearing                                |
| <b>Speed</b>               | 27 rpm  |
| <b>Motor</b>               | 0,37kW 400V 3~                                  |



#### ATEX



The SAX250 can be supplied as an ATEX-114 certified model suitable for substances within dust explosion classes St1 and St2.

- Suitable for dust explosion classes St1 and St2 (up to Kst299 bar.m/s²)
- Explosion pressure shock resistant up to 2.5 bar
- Internally suitable for zone 20, IID
- Externally suitable for zones 1, 21, 2 and 22, II 2D and II 3G/D (depending on the installed drive).



250 x 250 PN10 flange  
(as an inlet or outlet  
as preferred)

Polyurethane blades

Easy to install and  
remove the rotor

Welded rotor

DN250 PN10 flange  
(as an inlet or outlet  
as preferred)

ATEX version,  
pressure impact  
resistant up to  
2.5 bar

"Smart Lite"  
house and  
shields

Worm gear  
speed reducer

Drive optionally  
supplied as  
Ex II 2D or II 3G/D

